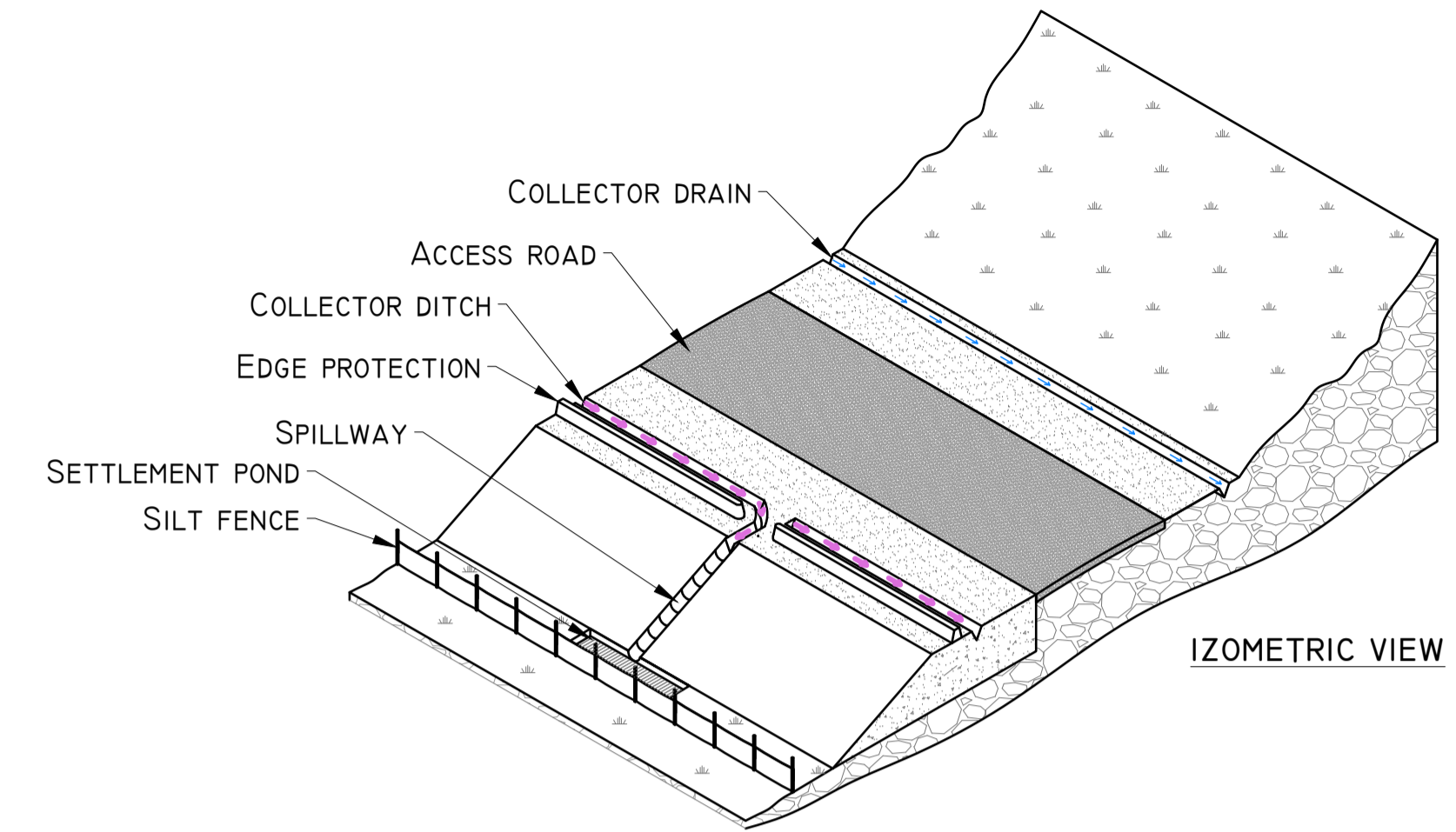
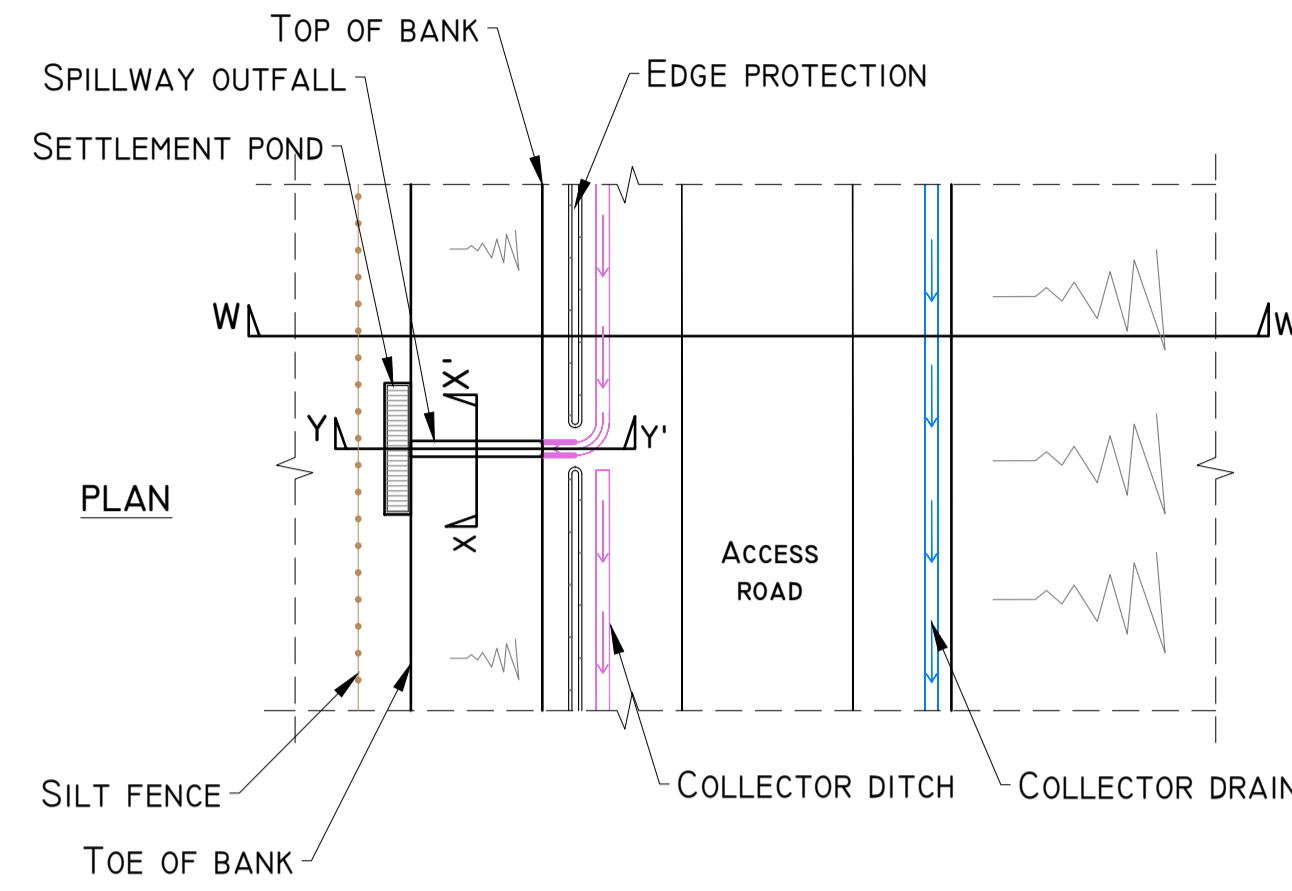
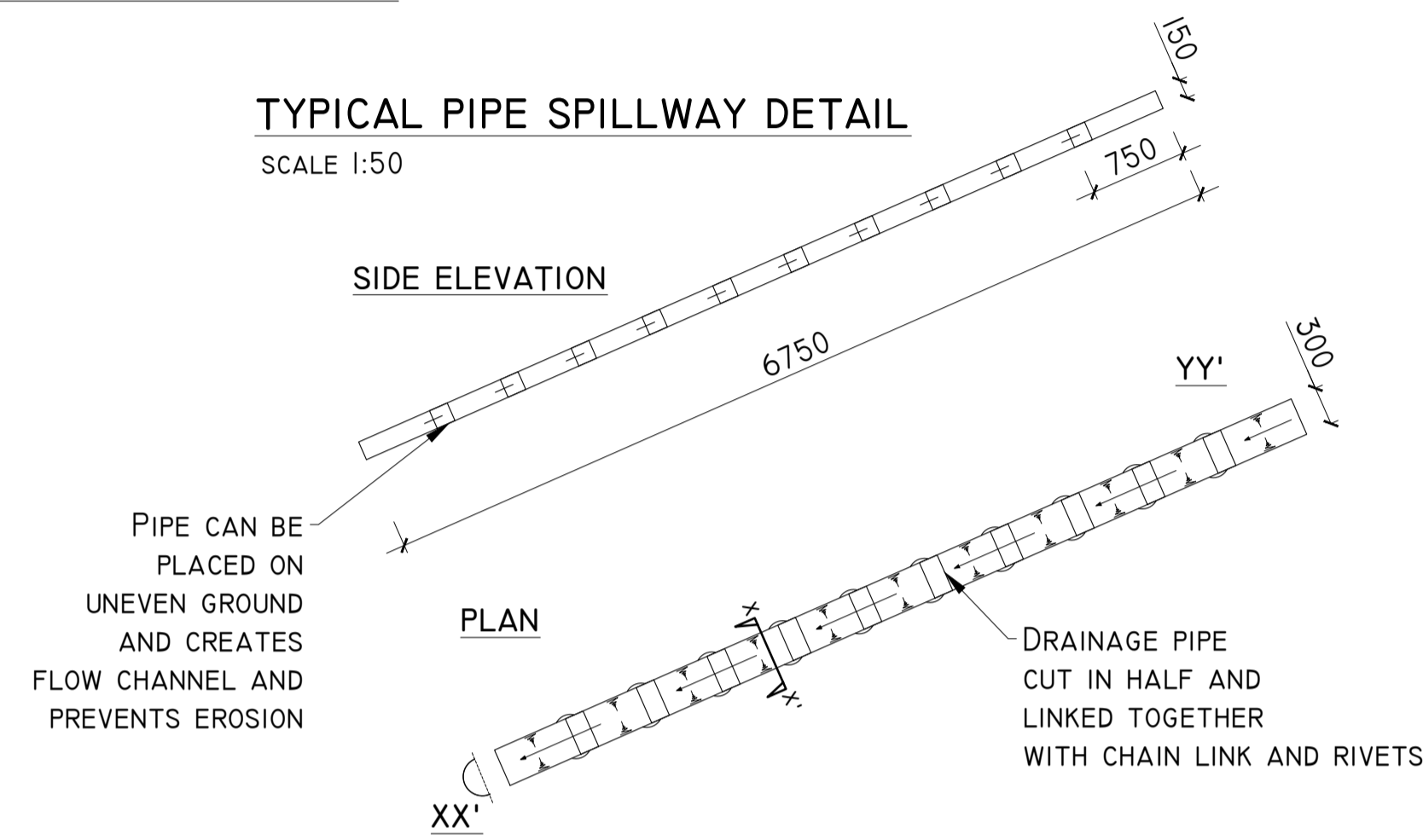


# DETAIL H

TYPICAL PIPE SPILLWAY DETAIL

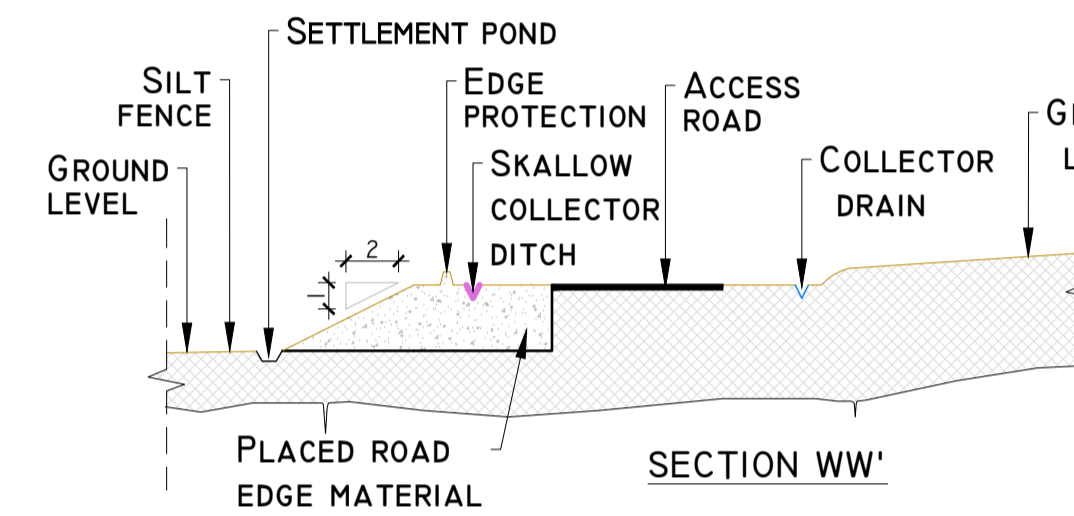
SCALE 1:50



SPILLWAY OUTFALL PLAN

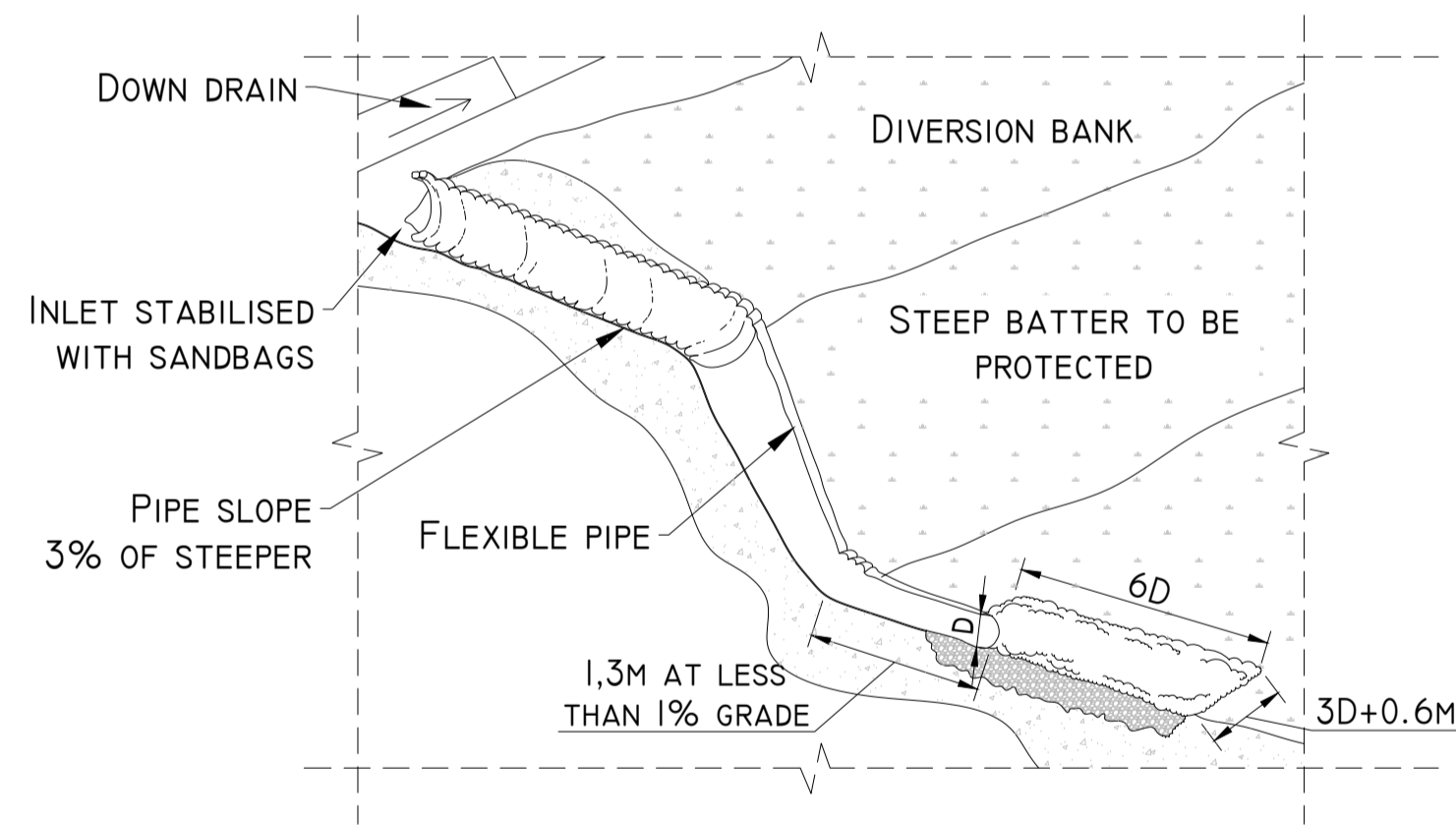
SCHEMATIC - NOT TO SCALE

# DETAIL I



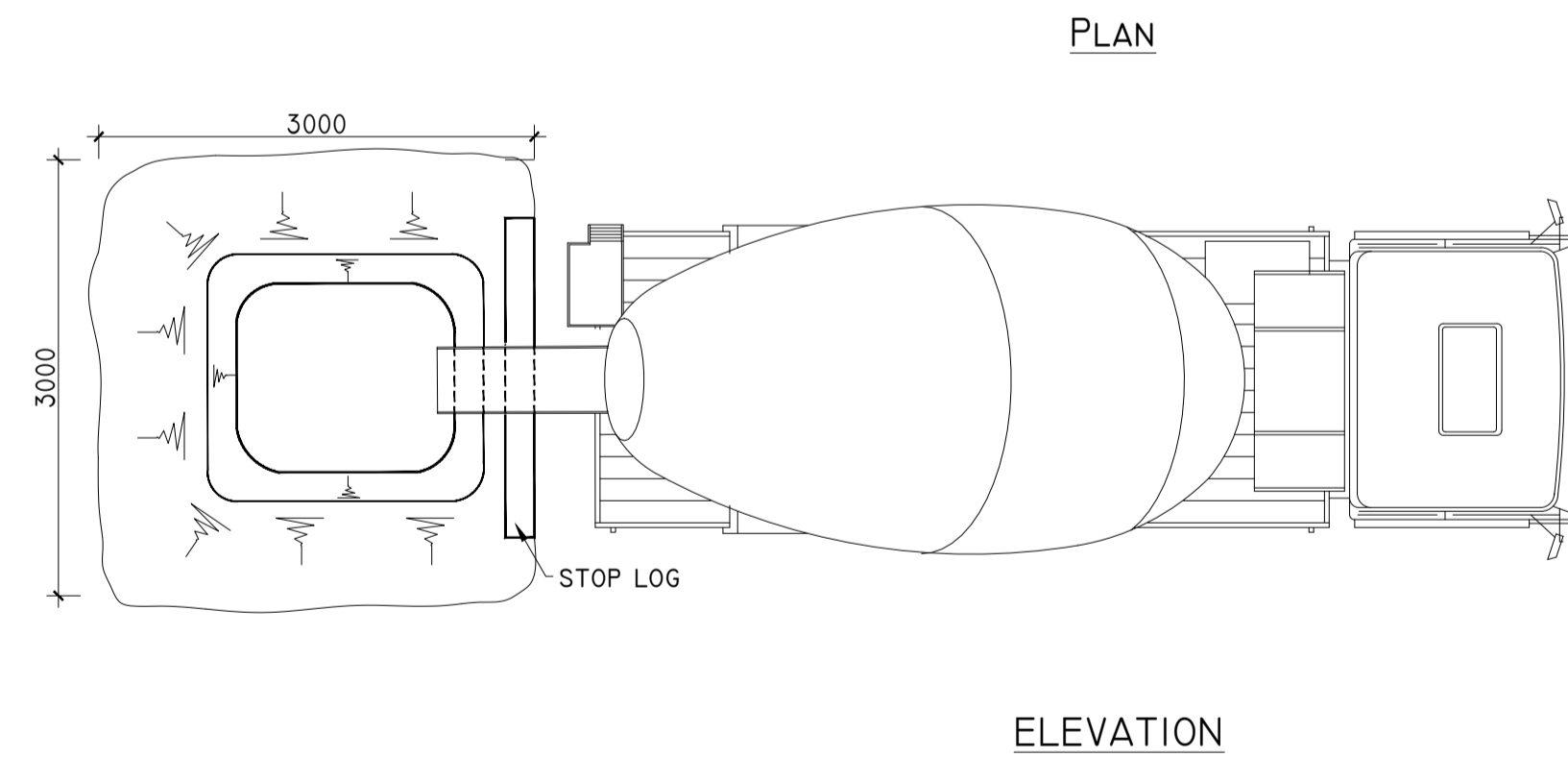
TYPICAL PIPE SPILLWAY DETAIL

SCHEMATIC - NOT TO SCALE

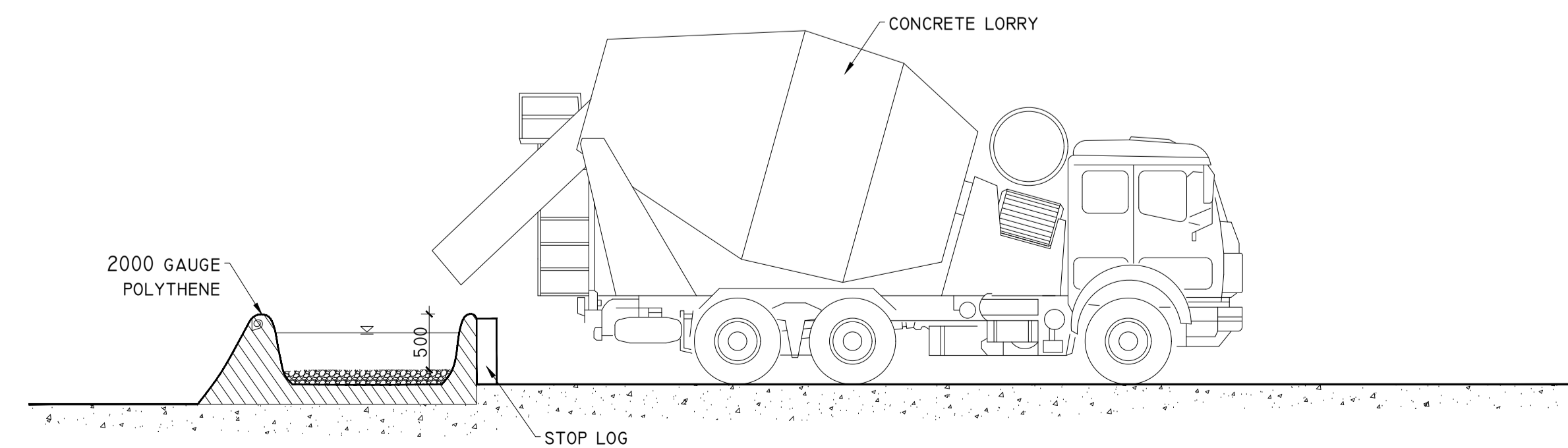


TEMPORARY CONCRETE WASH OUT PIT

SCALE 1:50



# DETAIL J



PROJECT DESIGN DRAWING NOTES  
 1. DRAWINGS ISSUED ARE FOR PLANNING APPLICATION PURPOSES ONLY.  
 2. DRAWINGS NOT TO BE USED FOR CONSTRUCTION /CONTRACT CONDITIONS.  
 3. COPYRIGHT, ALL RIGHTS RESERVED. NO PART HERE WITH MAY BE COPIED OR REPRODUCED PARTIALLY OR WHOLLY IN ANY FORM WHATSOEVER WITHOUT THE PRIOR NOTICE OF THE COPYRIGHT OWNER HYDRO-ENVIRONMENTAL SERVICES.  
 4. DO NOT SCALE OFF THIS DRAWING. FIGURED METRIC DIMENSIONS ONLY SHOULD BE TAKEN OFF THIS DRAWING.  
 5. ALL CONTRACTORS, WHETHER MAIN OR SUB-CONTRACTORS, MUST VISIT THE SITE AND ARE RESPONSIBLE FOR TAKING AND CHECKING ANY AND ALL DIMENSIONS AND LEVELS THAT RELATE TO THE WORKS.  
 6. THE USE OF OR RELIANCE UPON THIS DRAWING SHALL BE DEEMED TO BE ACCEPTANCE OF THESE CONDITIONS OF USE UNLESS OTHERWISE AGREED IN WRITING. SUCH WRITTEN AGREEMENT TO BE SOUGHT FROM AND ISSUED BY THE COPYRIGHT HOLDER TO THE USE OR RELIANCE UPON THIS DRAWING.  
 7. LAYOUT PLANS SHOW TYPICAL TURBINE ROTOR DIAMETER AS PER TURBINE DRAWING.

Ordnance Survey Ireland Licence No. EN 0044718  
 © Ordnance Survey Ireland/Government of Ireland

Date	Description	Chkd	Signed
Revisions			

**HYDRO ENVIRONMENTAL SERVICES**  
 22 Lower Main St  
 Dungarvan  
 Co. Waterford  
 Ireland

tel: +353 (0) 58-44122  
 tel: +353 (0) 58-44244  
 email: info@hydroenvironmental.ie  
 web: www.hydroenvironmental.ie

Client:  
**MCCARTHY KEVILLE O'SULLIVAN**

Job:  
**ARDDERROO WF, CO. GALWAY**

Title:  
**Drainage Details 4**

Figure No: **0815-33**

Drawing No: **P1227-8-1118-A1-0815-33-00A**

Sheet Size: **A1** Project No.: **P1227-8**

Scale: **as shown (A1)** Drawn By: **MG/GD**

Date: **21/11/2018** Checked By: **M.G.**