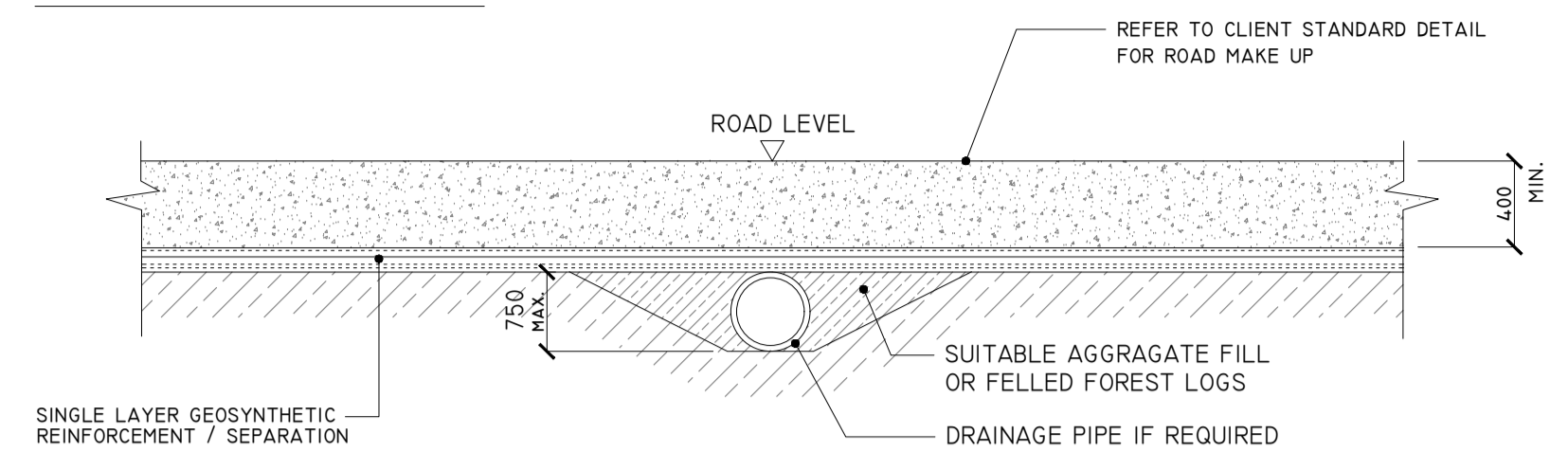
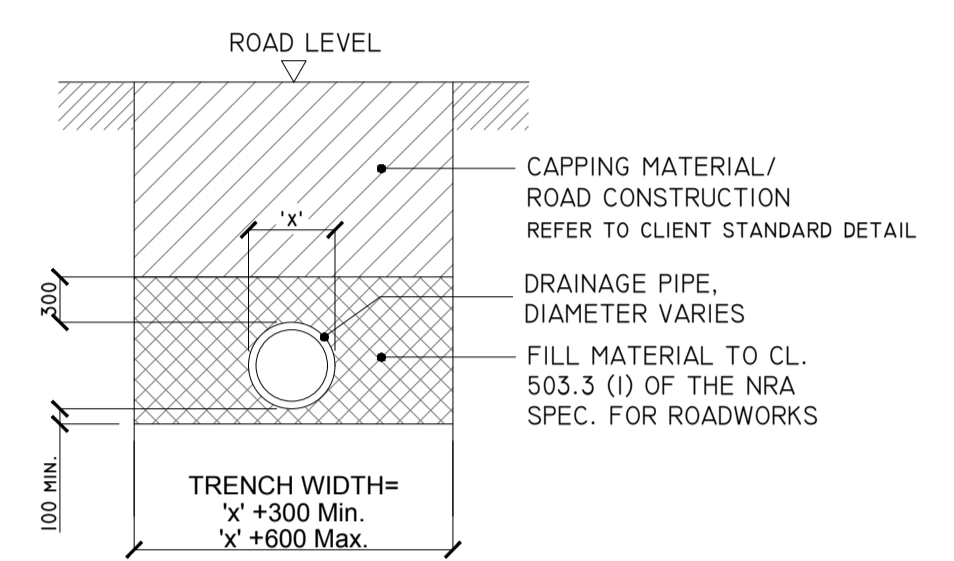


DETAIL B

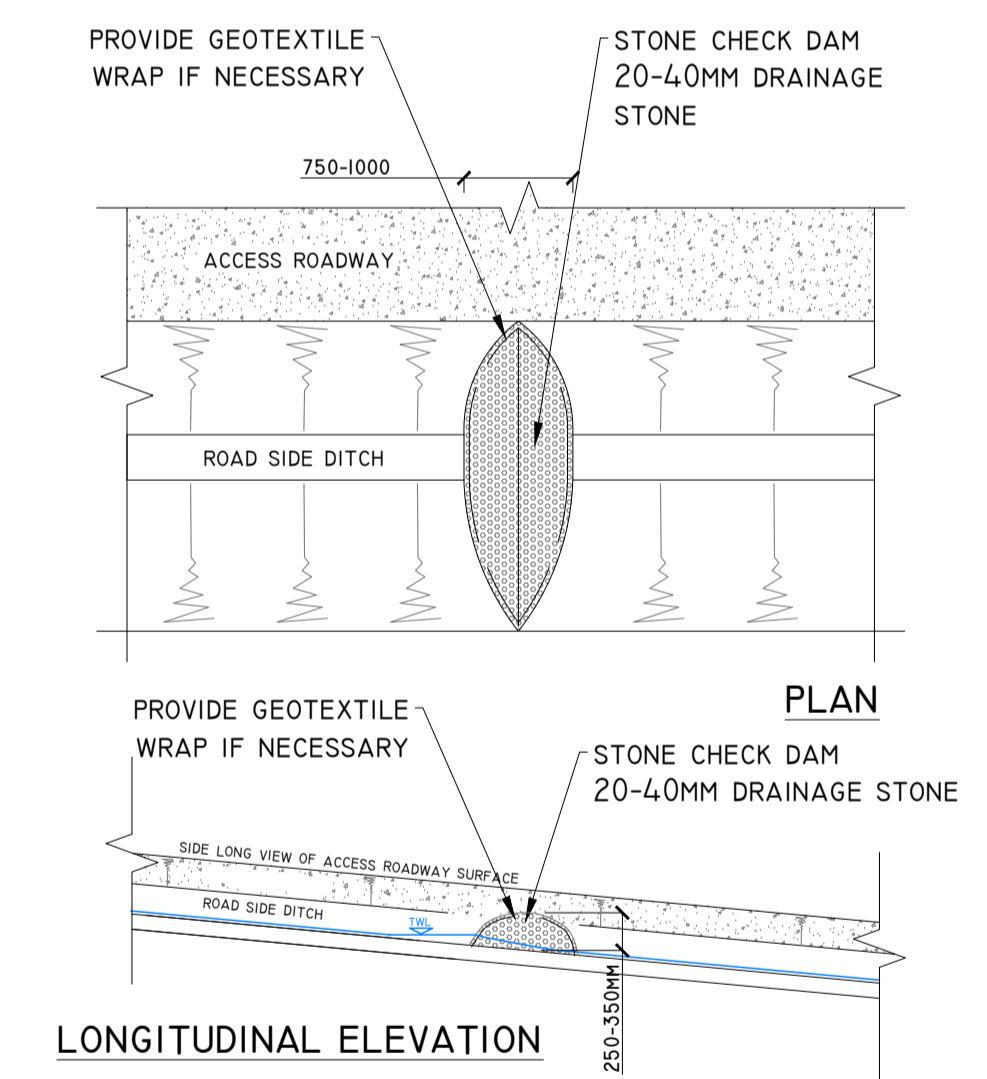


'TYPE A' CULVERT - DRAINAGE CROSSING BENEATH FLOATING ROAD
SCALE 1:100



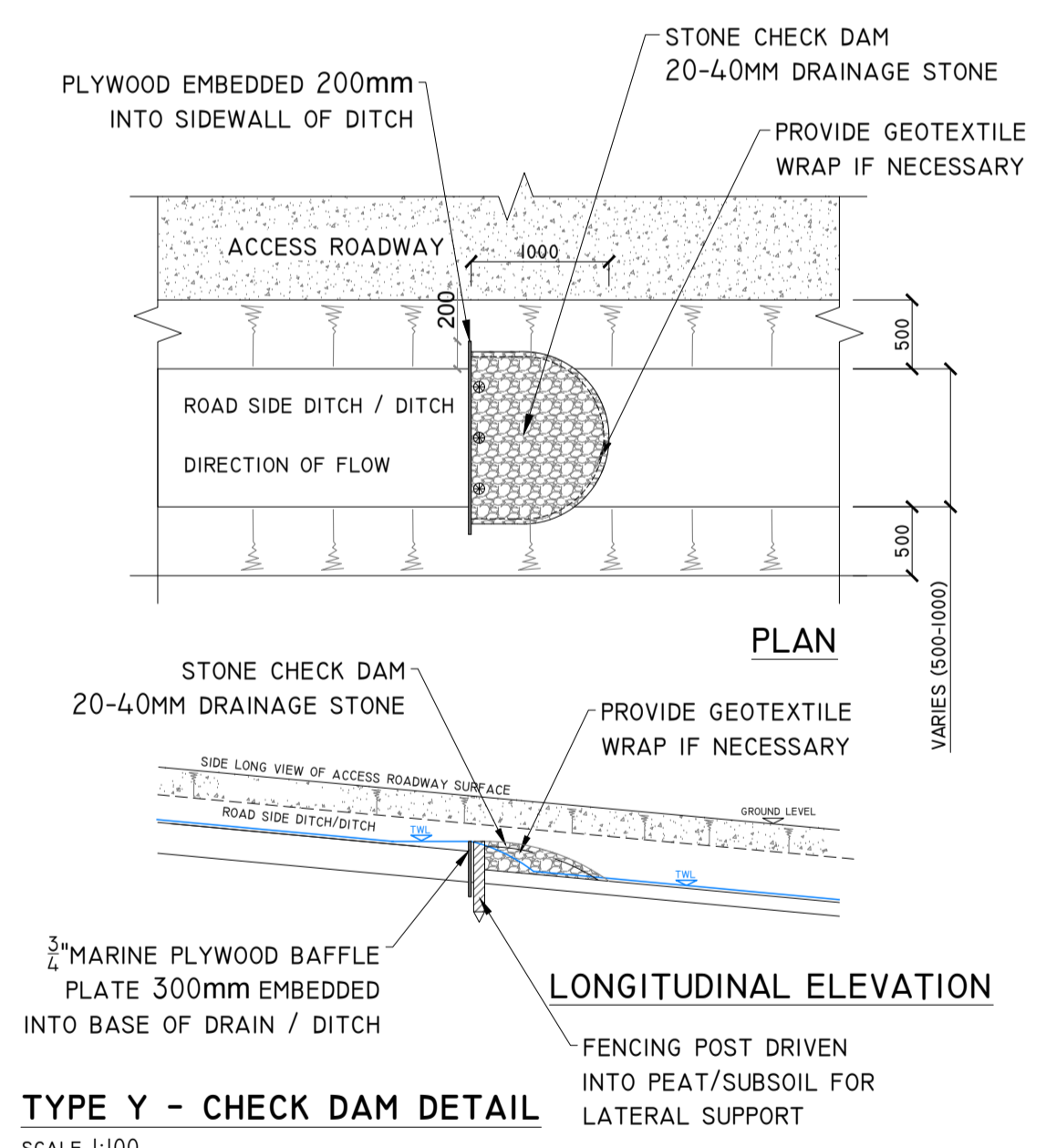
'TYPE B' CULVERT - DRAINAGE CROSSING BENEATH EXCAVATED ROAD
SCALE 1:50

DETAIL C



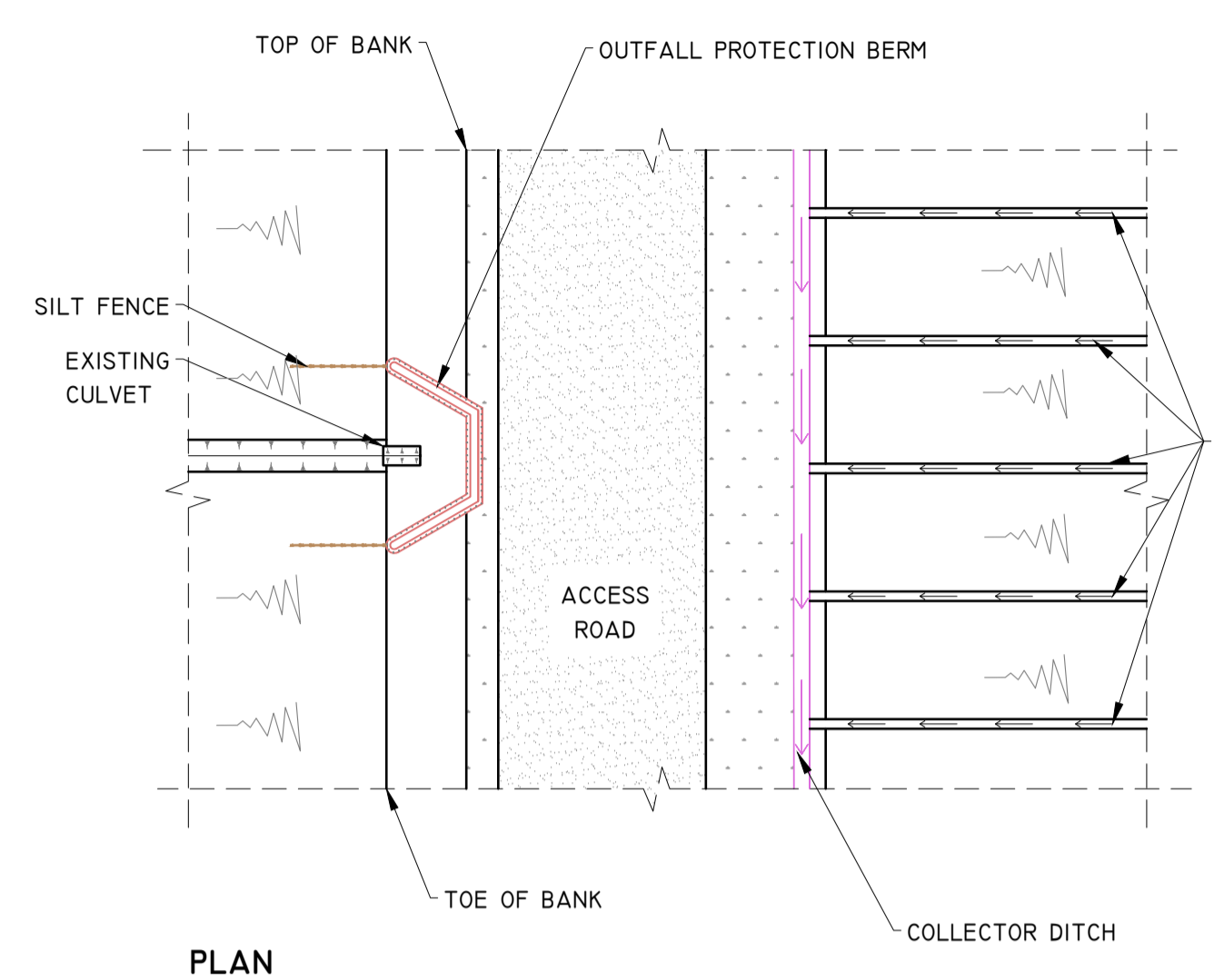
TYPE X - CHECK DAM DETAIL
SCALE 1:50

DETAIL D

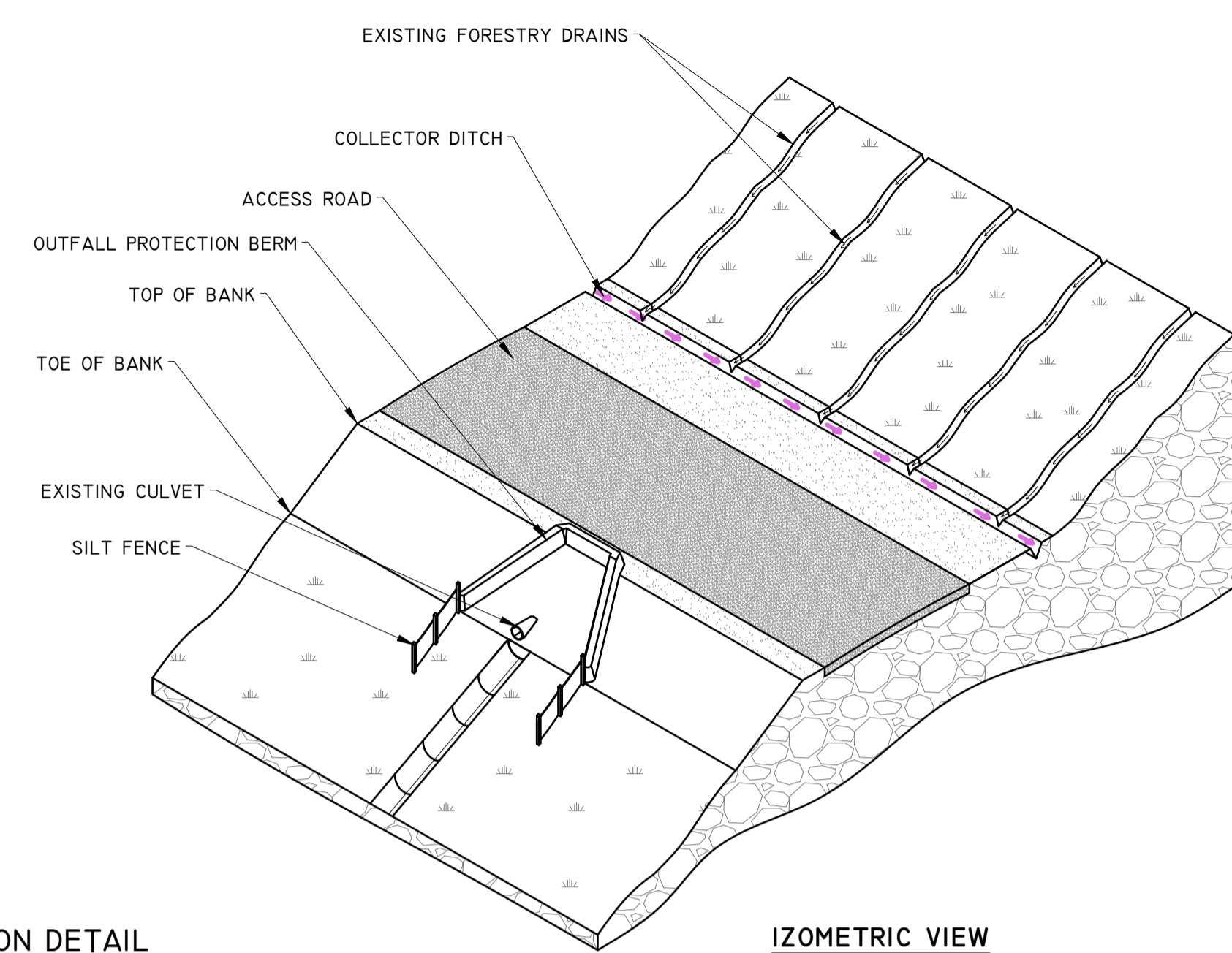


TYPE Y - CHECK DAM DETAIL
SCALE 1:100

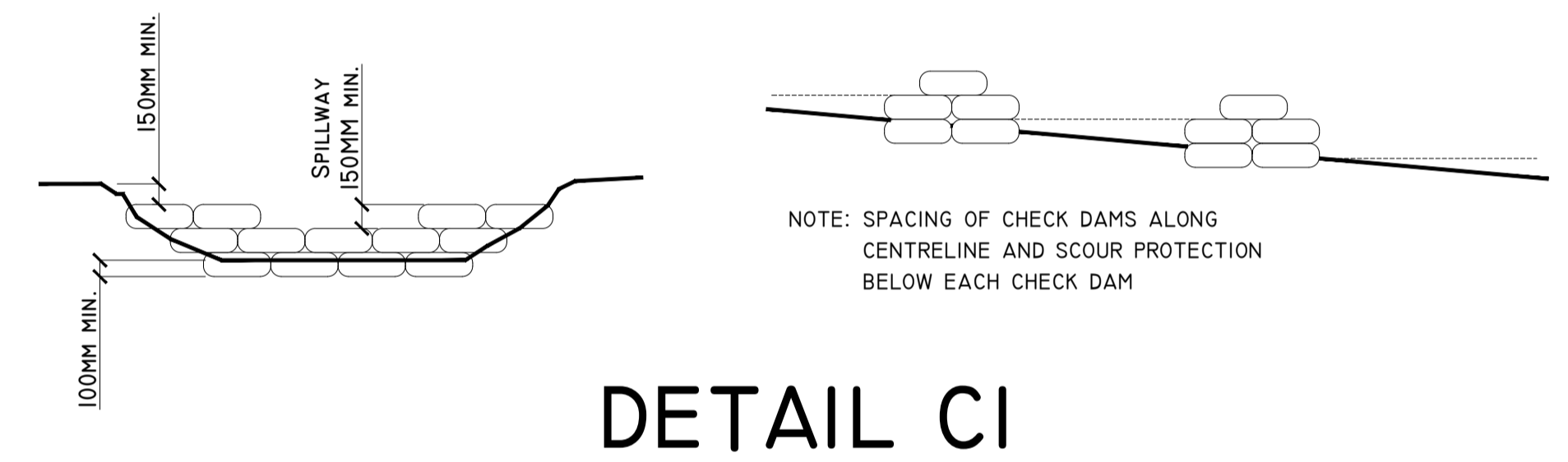
DETAIL BI



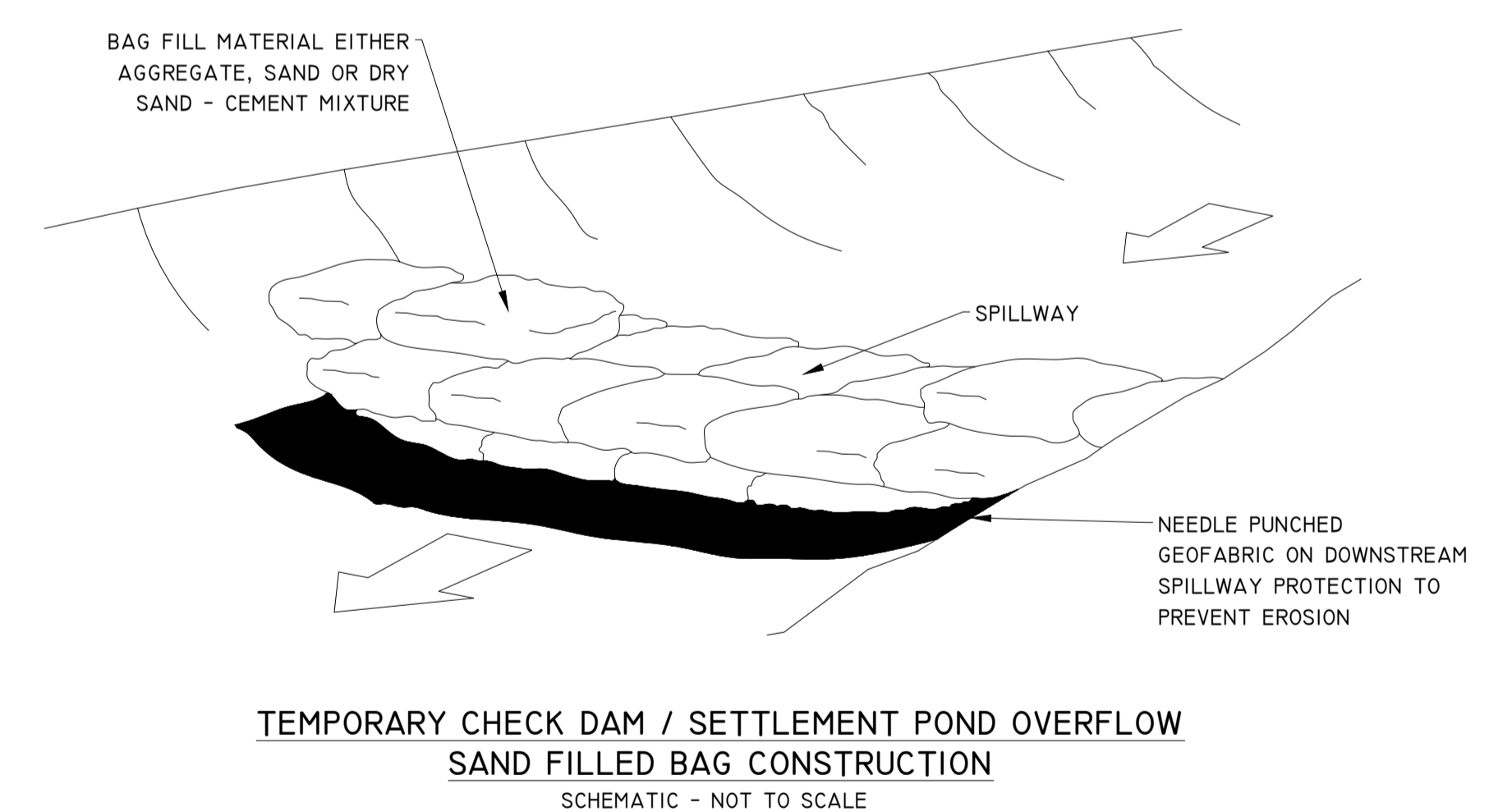
CULVERT - OUTFALL PROTECTION DETAIL
SCHEMATIC - NOT TO SCALE



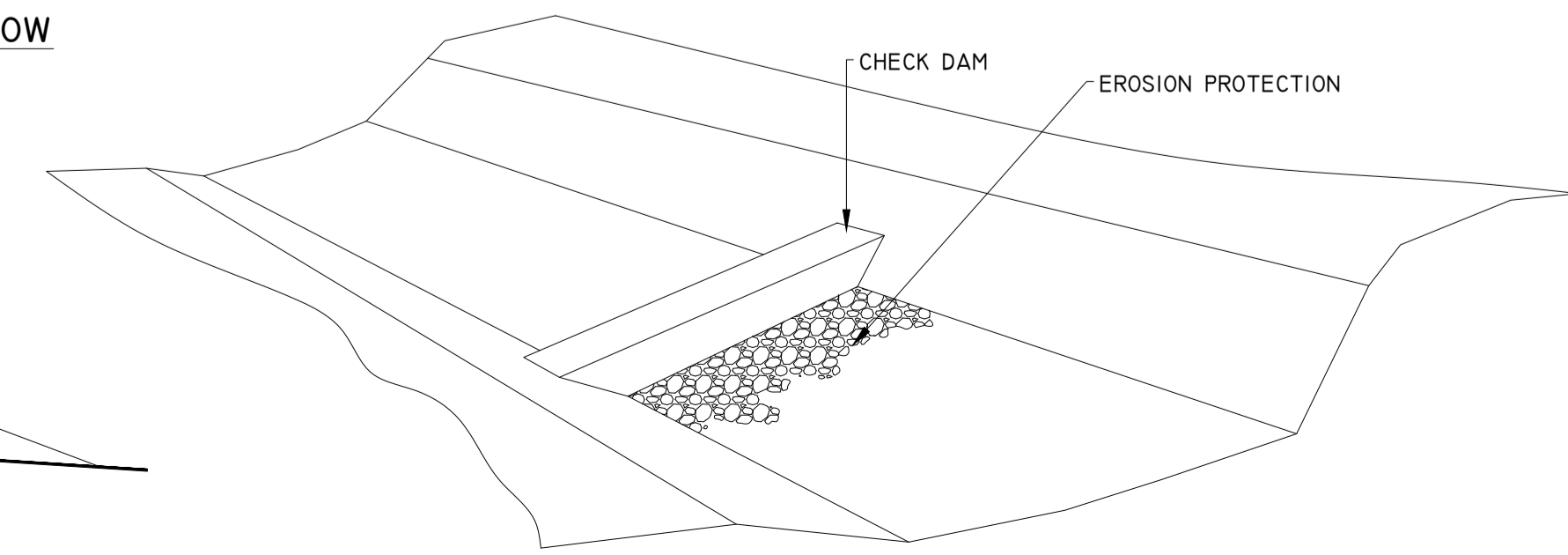
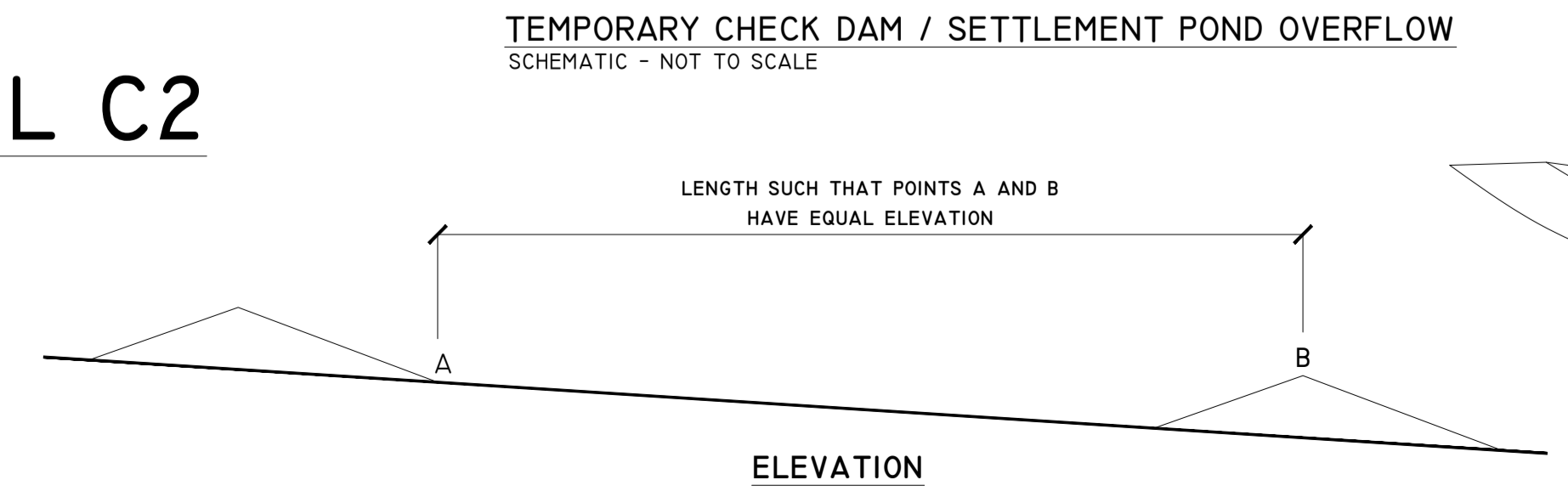
ISOMETRIC VIEW



DETAIL CI



DETAIL C2



PROJECT DESIGN DRAWING NOTES
1. DRAWINGS ISSUED ARE FOR PLANNING APPLICATION PURPOSES ONLY.
2. DRAWINGS NOT TO BE USED FOR CONSTRUCTION / CONTRACT CONDITIONS.
3. COPYRIGHT, ALL RIGHTS RESERVED. NO PART HERE WITH MAY BE COPIED OR REPRODUCED PARTIALLY OR WHOLLY IN ANY FORM WHATSOEVER WITHOUT THE PRIOR NOTICE OF THE COPYRIGHT OWNER HYDRO-ENVIRONMENTAL SERVICES.
4. DO NOT SCALE OFF THIS DRAWING. FIGURED METRIC DIMENSIONS ONLY SHOULD BE TAKEN OFF THIS DRAWING.
5. ALL CONTRACTORS, WEATHER MAIN OR SUB-CRONTACTORS, MUST VISIT THE SITE AND ARE RESPONSIBLE FOR TAKING AND CHECKING ANY AND ALL DIMENSIONS AND LEVELS THAT RELATE TO THE WORKS.
6. THE USE OF OR RELIANCE UPON THIS DRAWING SHALL BE DEEMED TO BE ACCEPTANCE OF THESE CONDITIONS OF USE UNLESS OTHERWISE AGREED IN WRITING. SUCH WRITTEN AGREEMENT TO BE SOUGHT FROM AND ISSUED BY THE COPYRIGHT HOLDER TO THE USER OR RELIANCE UPON THIS DRAWING.
7. LAYOUT PLANS SHOW TYPICAL TURBINE ROTOR DIAMETER AS PER TURBINE DRAWING.

Ordnance Survey Ireland Licence No. EN 0044718
© Ordnance Survey Ireland/Government of Ireland

Date	Description	Chkd	Signed

HYDRO ENVIRONMENTAL SERVICES
22 Lower Main St
Dungarvan
Co. Waterford
Ireland

tel: +353 (0) 58-44122
tel: +353 (0) 58-44244
email: info@hydroenvironmental.ie
web: www.hydroenvironmental.ie

Client:
MCCARTHY KEVILLE O'SULLIVAN

Job:
ARDDERROO WF, CO. GALWAY

Title:
Drainage Details 2

Figure No: **0815-31**

Drawing No: P1227-8-1118-A1-0815-31-00A
Sheet Size: A1
Scale: as shown (A1)
Date: 21/11/2018

Project No.: P1227-8
Drawn By: MG/GD
Checked By: M.G.