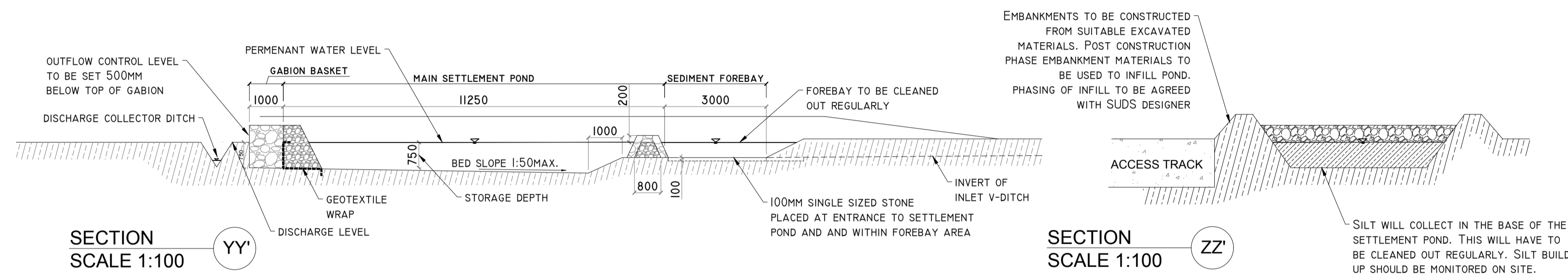


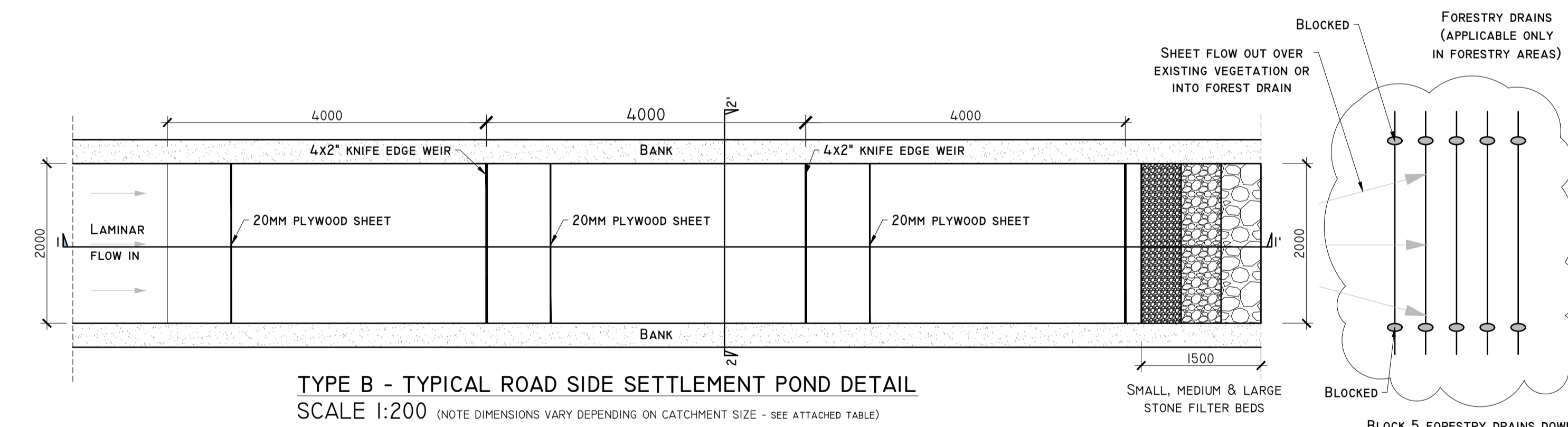
DETAIL A1

TYPE A - TYPICAL ROAD SIDE SETTLEMENT POND DETAIL
SCALE 1:200 (NOTE DIMENSIONS VARY DEPENDING ON CATCHMENT SIZE - SEE ATTACHED TABLE)

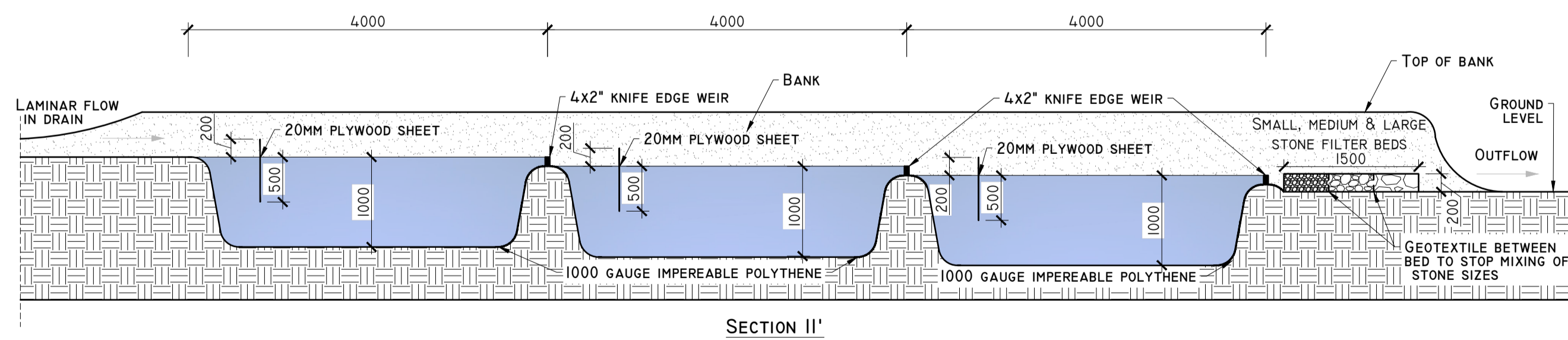


SECTION YY'
SCALE 1:100

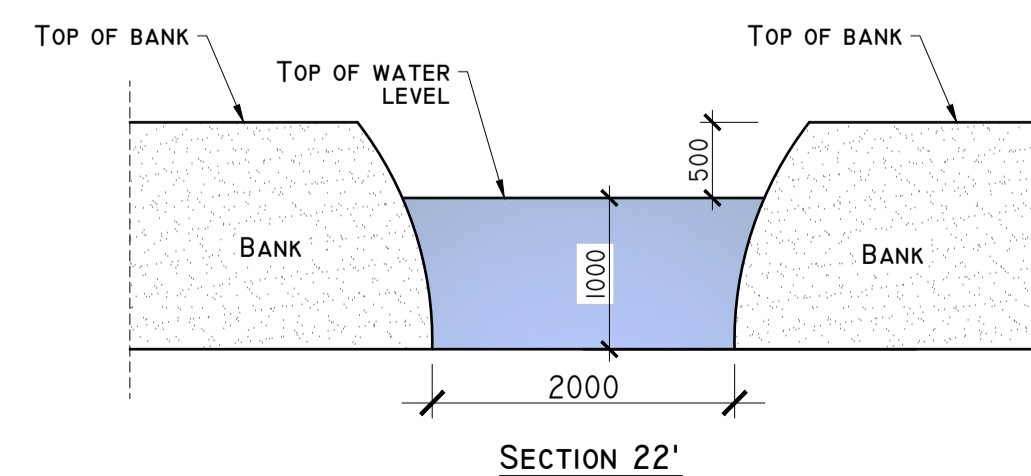
SECTION ZZ'
SCALE 1:100



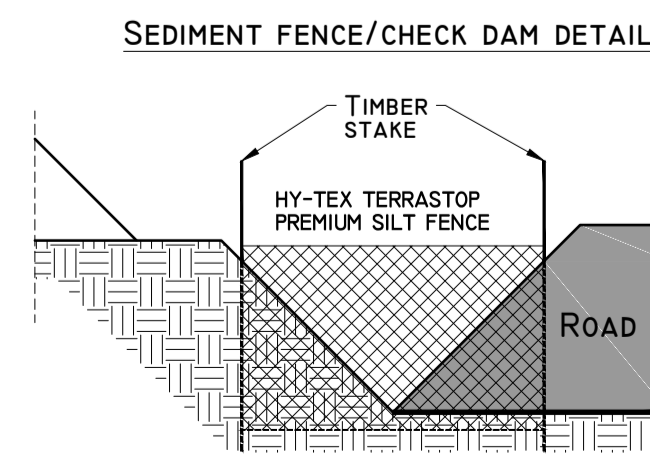
TYPE B - TYPICAL ROAD SIDE SETTLEMENT POND DETAIL
SCALE 1:200 (NOTE DIMENSIONS VARY DEPENDING ON CATCHMENT SIZE - SEE ATTACHED TABLE)



SECTION II'



SECTION 22'



DETAIL A2

PROJECT DESIGN DRAWING NOTES
1. DRAWINGS ISSUED ARE FOR PLANNING APPLICATION PURPOSES ONLY.
2. DRAWINGS NOT TO BE USED FOR CONSTRUCTION /CONTRACT CONDITIONS.
3. COPYRIGHT, ALL RIGHTS RESERVED. NO PART HERE WITH MAY BE COPIED OR REPRODUCED PARTIALLY OR WHOLLY IN ANY FORM WHATSOEVER WITHOUT THE PRIOR NOTICE OF THE COPYRIGHT OWNER HYDRO-ENVIRONMENTAL SERVICES.
4. DO NOT SCALE OFF THIS DRAWING. FIGURED METRIC DIMENSIONS ONLY SHOULD BE TAKEN OFF THIS DRAWING.
5. ALL CONTRACTORS, WEATHER MAIN OR SUB-CONTRACTORS, MUST VISIT THE SITE AND ARE RESPONSIBLE FOR TAKING AND CHECKING ANY AND ALL DIMENSIONS AND LEVELS THAT RELATE TO THE WORKS.
6. THE USE OF OR RELIANCE UPON THIS DRAWING SHALL BE DEEMED TO BE ACCEPTANCE OF THESE CONDITIONS OF USE UNLESS OTHERWISE AGREED IN WRITING. SUCH WRITTEN AGREEMENT TO BE SOUGHT FROM AND ISSUED BY THE COPYRIGHT HOLDER TO THE USER OR RELIANCE UPON THIS DRAWING.
7. LAYOUT PLANS SHOW TYPICAL TURBINE ROTOR DIAMETER AS PER TURBINE DRAWING.

Ordnance Survey Ireland Licence No. EN 0044718
© Ordnance Survey Ireland/Government of Ireland

Date	Description	Chkd	Signed

HYDRO ENVIRONMENTAL SERVICES
22 Lower Main St
Dungannon
Co. Waterford
Ireland

tel: +353 (0) 58-44122
tel: +353 (0) 58-44244
email: info@hydroenvironmental.ie
web: www.hydroenvironmental.ie

Client:
MCCARTHY KEVILLE O'SULLIVAN

Job:
ARDDERROO WF, Co. GALWAY

Title:
Drainage Details 1

Figure No: **0815-30**

Drawing No: **P1227-8-1118-A1-0815-30-00A**

Sheet Size: **A1** Project No.: **P1227-8**

Scale: **as shown (A1)** Drawn By: **MG/GD**

Date: **21/11/2018** Checked By: **M.G.**